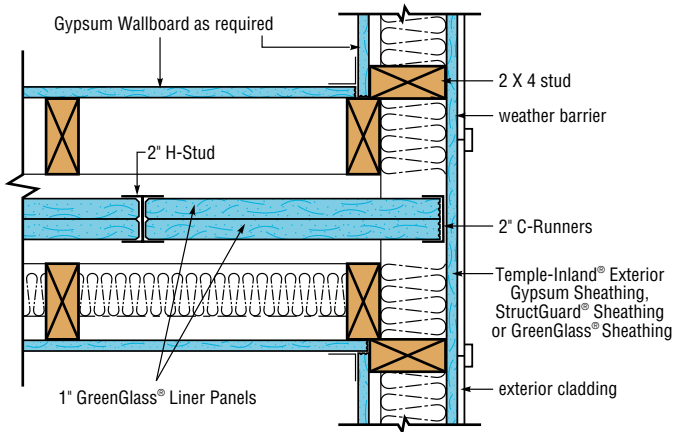


Area Separation Wall Details

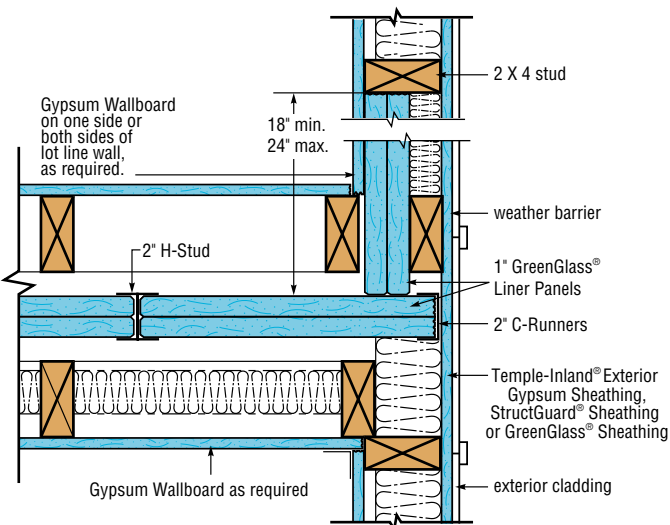
1. EXTERIOR WALL INTERSECTION (AS REQUIRED)

ASSEMBLY U375

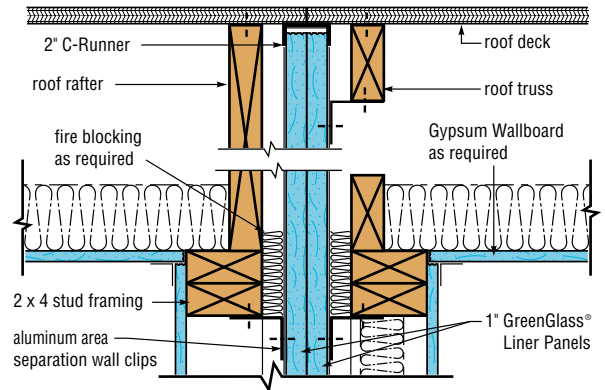


2. EXTERIOR WALL INTERSECTION (AS REQUIRED) - VARIATION

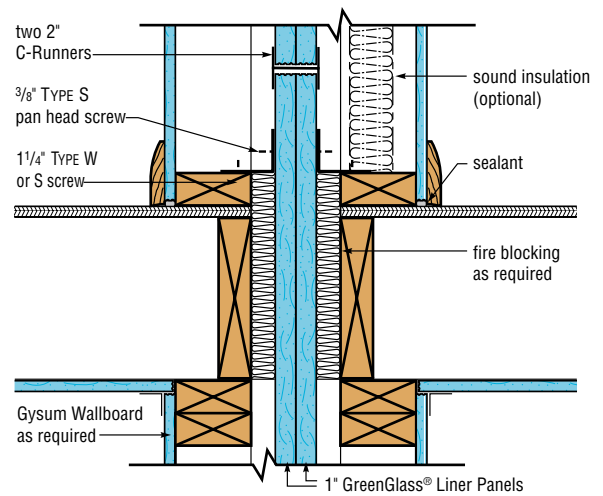
ASSEMBLY U375



3. INTERSECTION AT ROOF



4. INTERMEDIATE FLOOR



5. FOUNDATION

