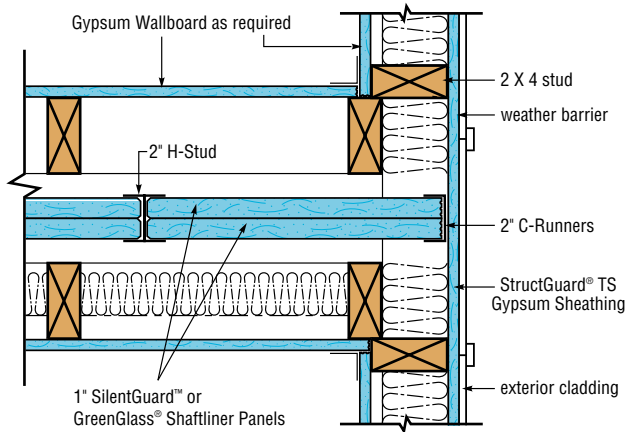
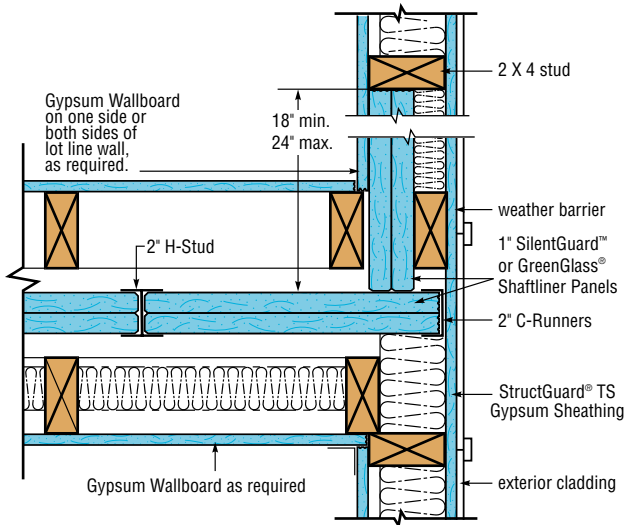


# Area Separation Wall Details

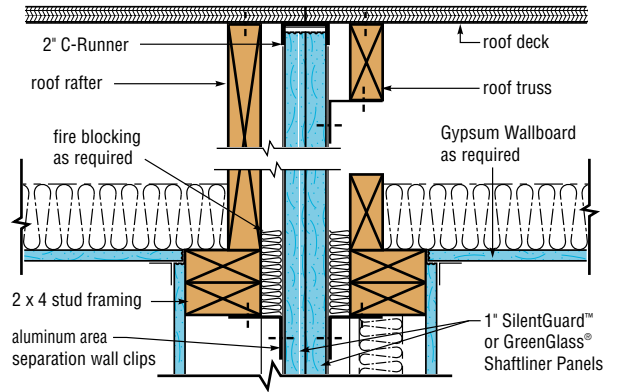
## 1. EXTERIOR WALL INTERSECTION (AS REQUIRED)



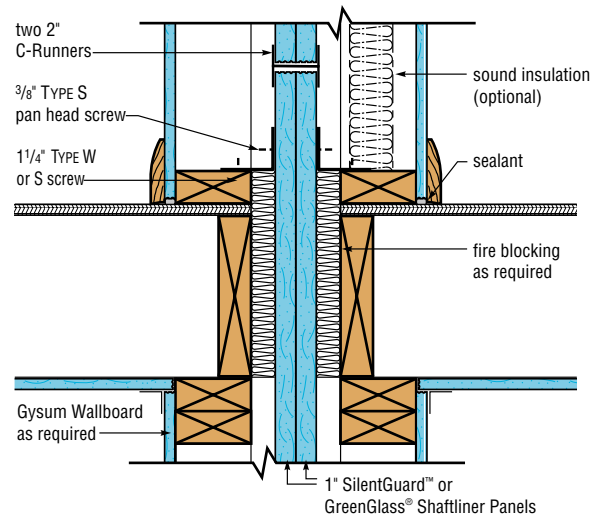
## 2. EXTERIOR WALL INTERSECTION (AS REQUIRED) - VARIATION



## 3. INTERSECTION AT ROOF



## 4. INTERMEDIATE FLOOR



## 5. FOUNDATION

